

Pneumatic Antenna Stand PAS 2.0-3-N

Technical Data

Antenna height adjustable manually	0.7 m to 2.0 m
Total mast height	2.2 m
Load capability	max. 10 kg
Depending on the distance of the antenna centre of gravity	
Material	Plastic + reinforced fibreglass,
weatherproof	
Mast cross-section	0.06 m x 0.06 m
Base L x W	0.9 m x 0.6 m
Moveable with 4 casters	
Polarisation of 3 antennas	0°/90° (vert./hor.)
Polarisation time 0°/90°	approx. 3 sec
Antennas are tilted by 10 degree to focus on the centre of the EUT	
Polarisation drive	2 Pneumatic rotary actuators
Control	Solenoid valve
Pressure	max. 6 bar
Temperature range	-10 °C...+35 °C
Total weight	35 kg
Accessories	Interface to PC-/SCU or MCU
Controller	2x 15 m air hose Service manual

Brief description

The unique Pneumatic Antenna Stand **PAS 2.0-3-N** is specifically designed for measurements in electromagnetic absorption chambers at a fixed measuring height with 3 antennas at the same time to minimize time for test setup.

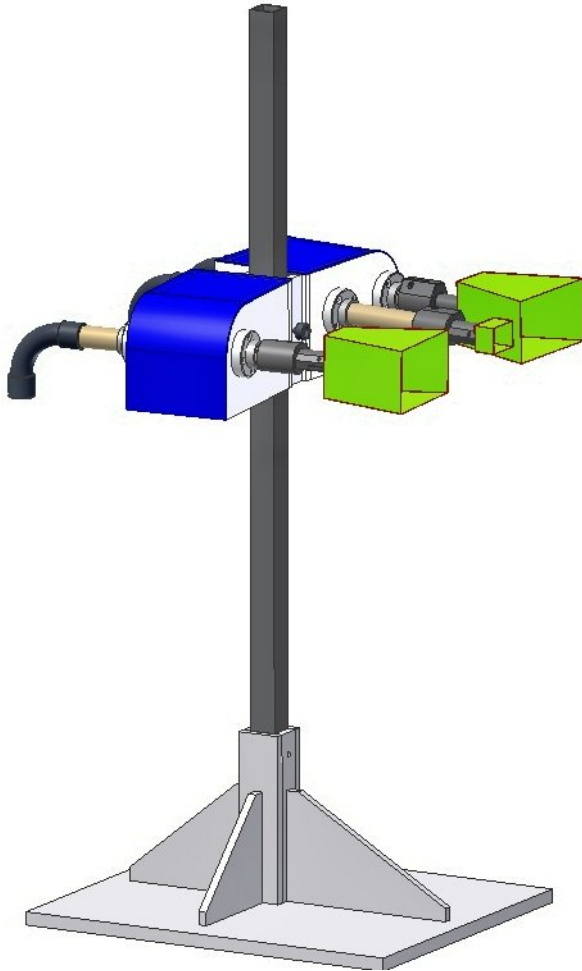
The PAS 2.0-N-3, with the exception of the rotary actuators, is fabricated from plastic (PVC and reinforced fibreglass).

Polarisation occurs using compressed air. A solenoid valve located outside of the chamber regulates the compressed air flow. The antenna bar height is manually adjustable. Antenna Adapters for all commercially available antennas are available upon request.

All antennas during polarisation rotate around their axis to eliminate any elevation errors.

The **IEEE 488.2 (GPIB) bus** provides an additional control option for all functions, when operated with the **SCU/MCU Controller**.

Pneumatic Antenna Stand PAS 2.0-3-N



Information presented enclosed is subject to change as product enhancements are made regularly. Pictures included are for illustration purposes only and do not represent all possible configurations.