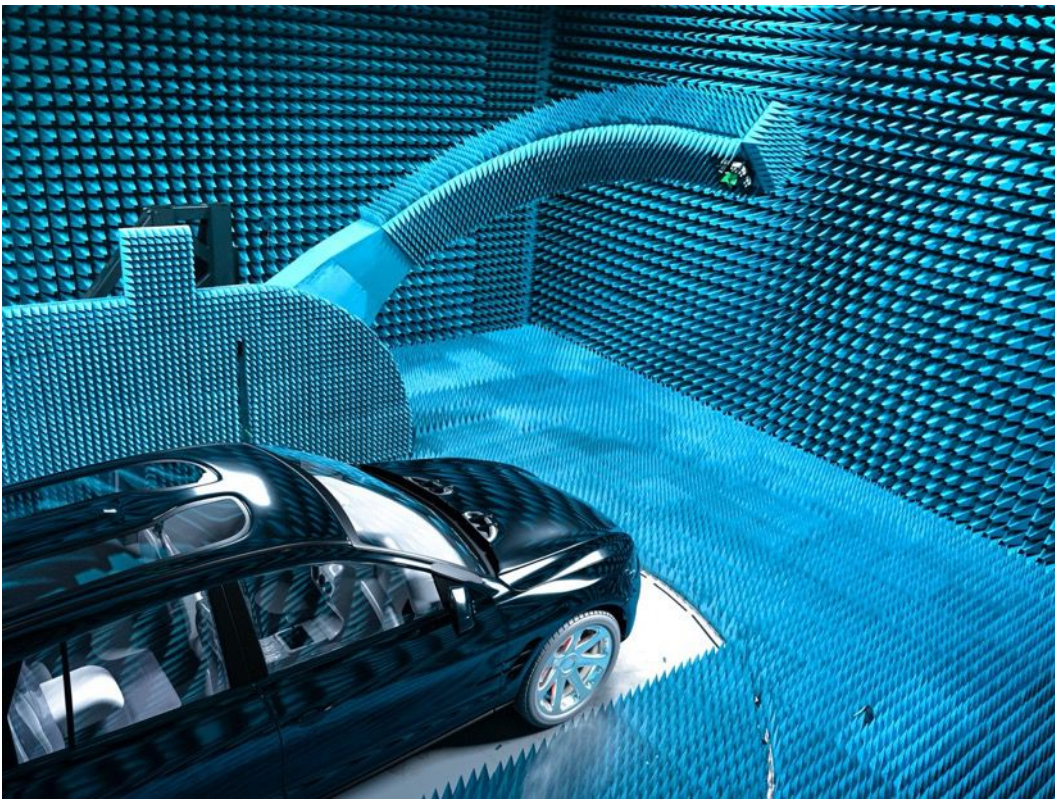


Heavy Duty Turntable

Options



Information presented enclosed is subject to change as product enhancements are made regularly. Pictures included are for illustration purposes only and do not represent all possible configurations.

Phone: +49 (0)9606 923913-0
Fax: +49 (0)9606 923913-29

eMail: info@matur-gmbh.de
Web: www.matur-gmbh.de

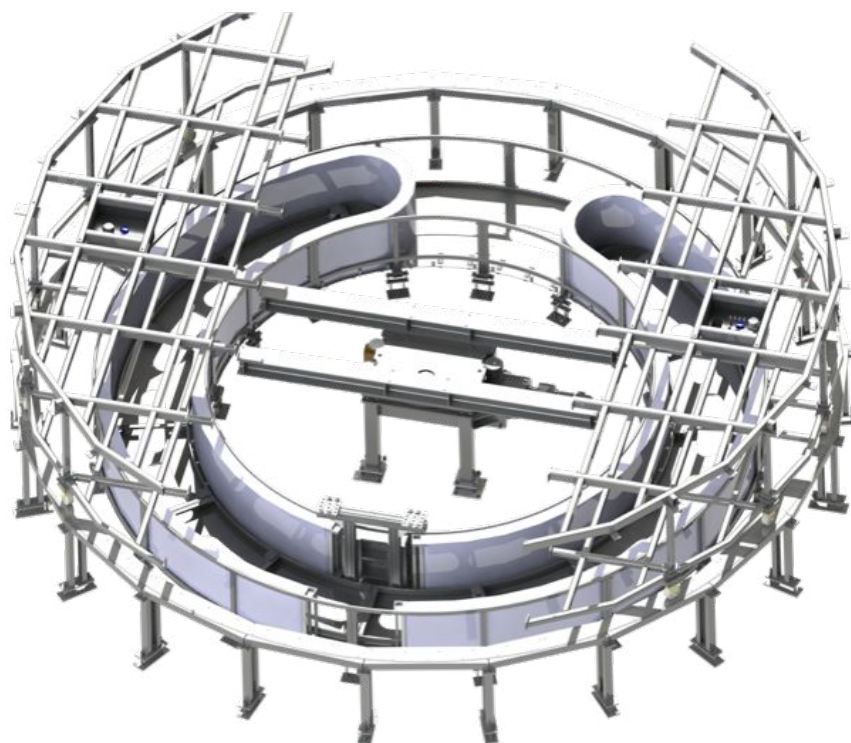
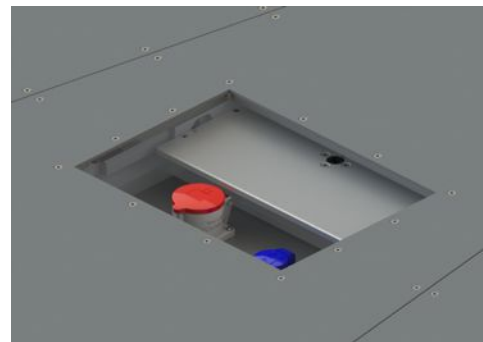
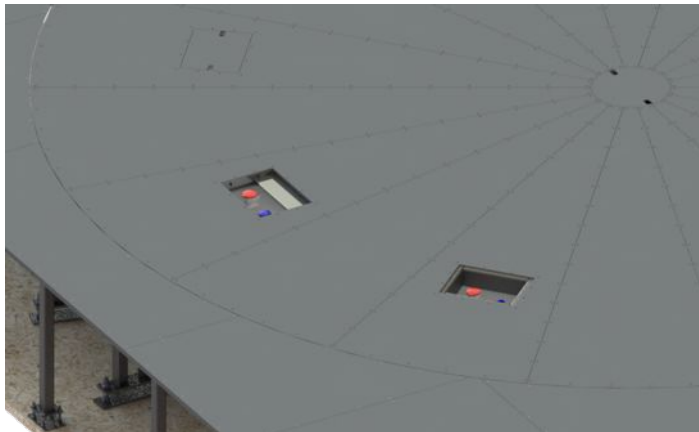
1) Energy chain (- EC)

For Power supply for EUT outside the centre of the turntable:

The power supply for the EUT is distributed by an energy chain (movable cable duct) to the connection boxes (access panels). Power supply outside the turntable centre is provided by access panels, which are located along the perimeter of the turntable for easy access. It is possible to integrate various types of sockets and connectors for the power supply of the EUT.

The state-of-the-art energy chain is equipped with wheels and rollers at the bottom and the side walls for a smooth and maintenance free running.

Pneumatic open and close operation of the power supply cover is available.

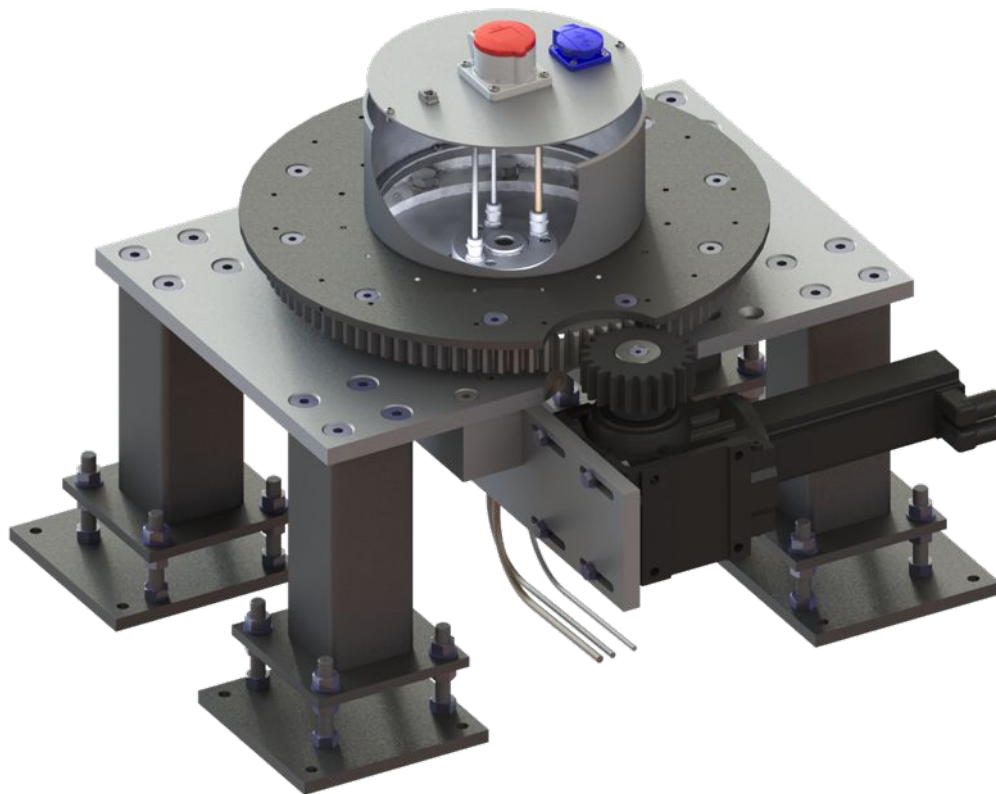


Principle of energy chain

2) Continuous rotation with slip ring for EUT supply cables (- C)

Power supply for EUT with slip ring or rotary joint for continuous rotation of turntable.

Prevents cables from twisting and damage while rotating. Different versions of slip rings/rotary joints are available.



Principle of continuous rotation with slip ring

3) Integrated exhaust gas extraction system (- EG)

The exhaust extraction system includes the following components:

- Movable exhaust pipes mounted above the cover; the pipe is attached rear left and rear right to the vehicle area
- Exhaust pipe fixed underneath the cover; provided up to the honeycomb in the shielded wall of the pit
- Adapters to connect the exhaust pipe to the honeycomb



Principle of exhaust gas extraction system

4) Cooling fan system

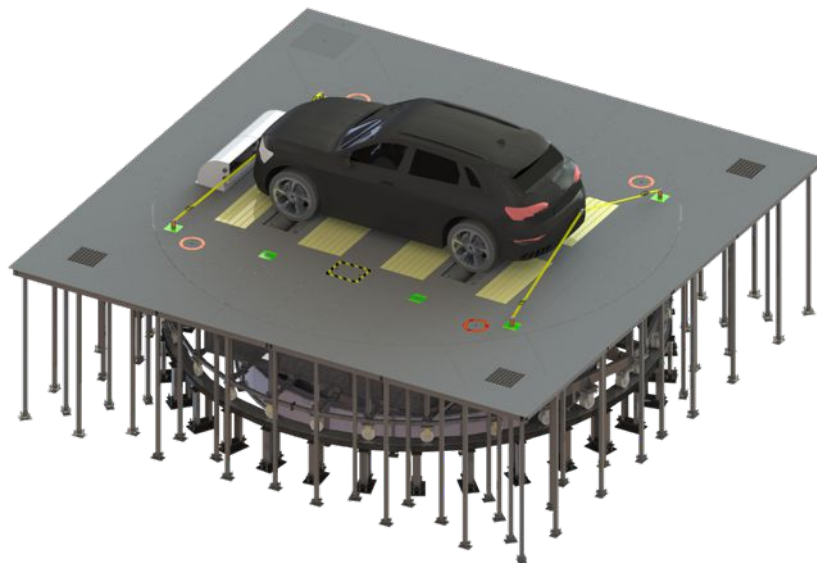
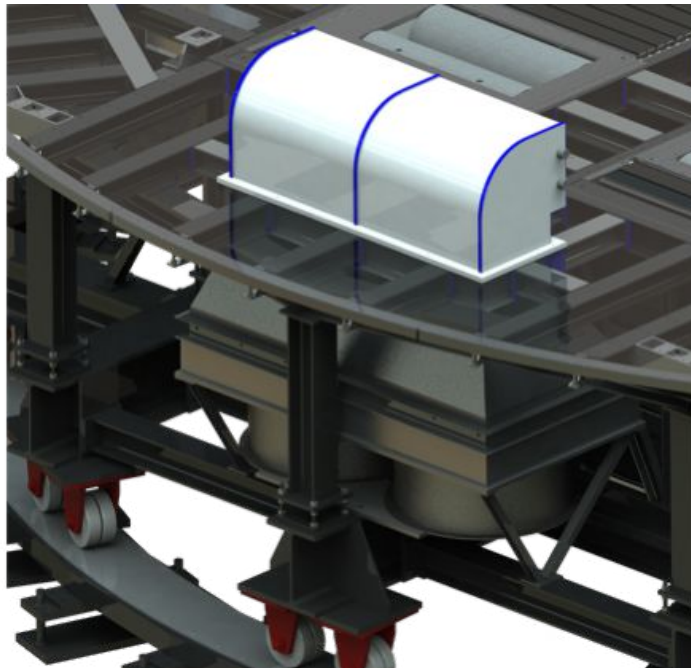
Shielded fans provide a sufficient cooling for the motor of the vehicle under test.

A removable plastic air scoop on top of the turntable is used to detour the airflow.

The fan speed can be set either proportional to the roller speed (up to 80 km/h) or to a constant speed.

Installation of the cooling fans is below the cover:

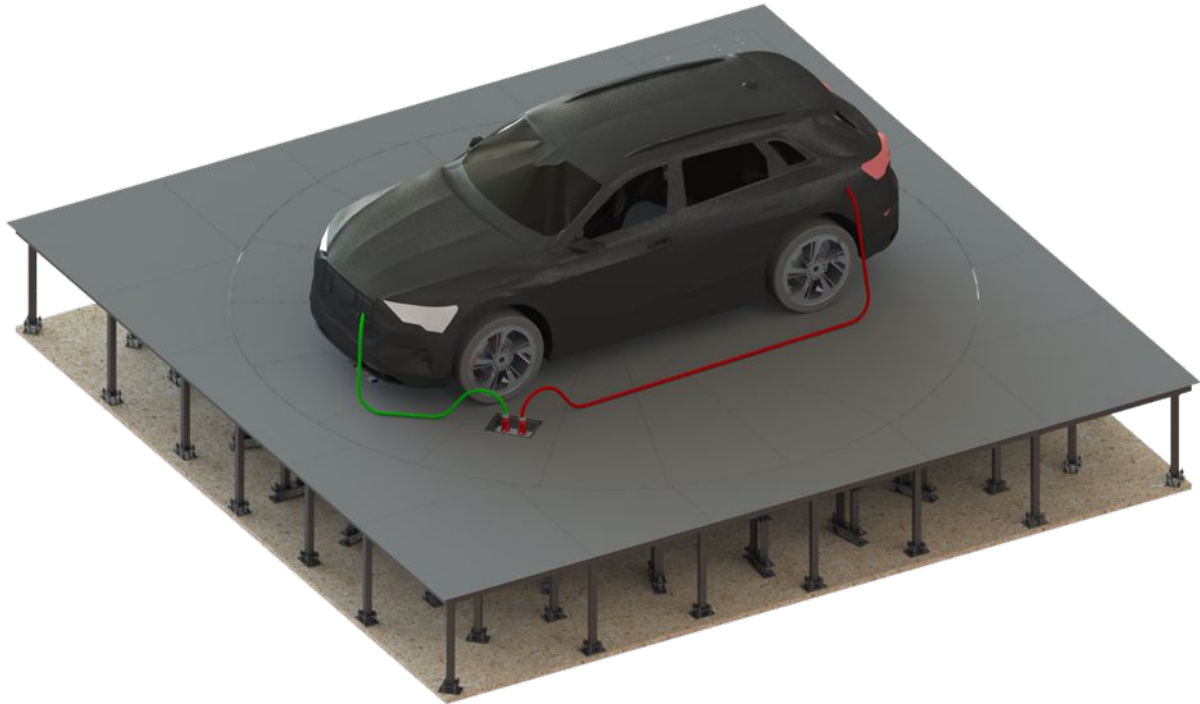
- Wind speed up to 80 km/h
- Air flow up to 20.000 m³/h



Example of integrated cooling fan system

5) Vehicle charging possibility

Our external power supply outside the turntable center can also be equipped with connectors that are powerful enough for charging vehicles on the turntable.



Example of charging an electric vehicle

6) Maintenance hatch

A Service hatch is available at the turntable border, which allows easy access from above the turntable for maintenance works. The opening is covered with a removable stainless-steel cover and is equipped with a ladder.

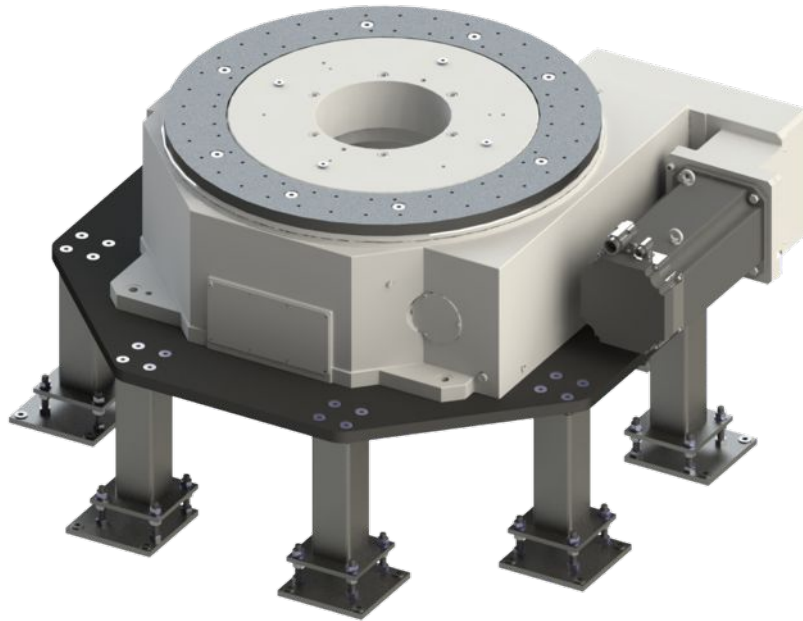
Pneumatic open and close operation available



Example of maintenance hatch

7) Higher positioning accuracy

If a high positioning accuracy and repeatability is required for your application, a high precision option is available for our turntables. Depending on your specific requirement a positioning accuracy up to 0.01° is possible. The main difference to the standard turntables is a high accurate cam roller drive.



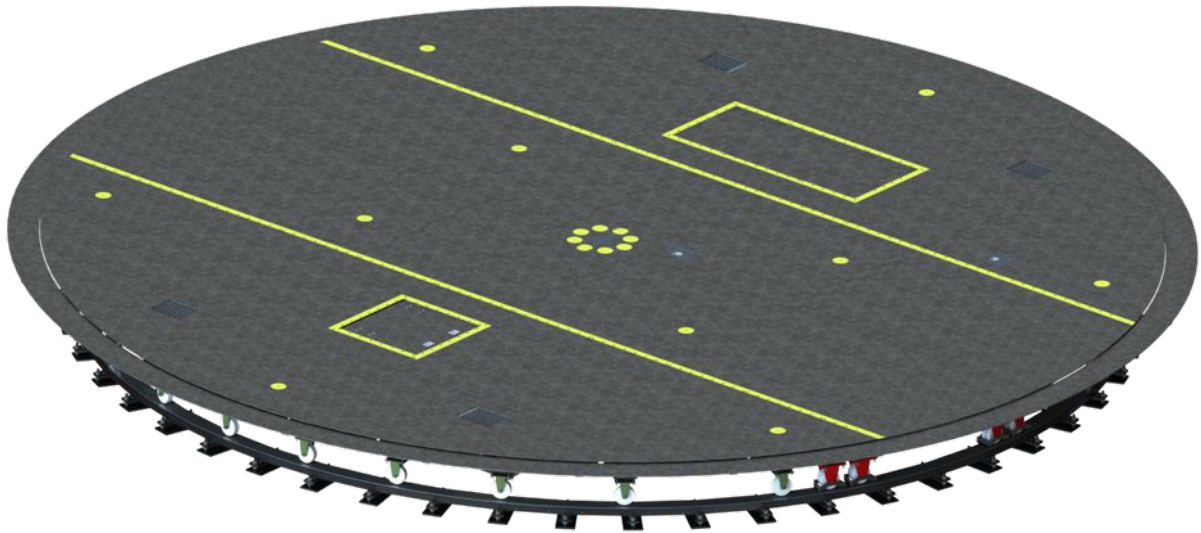
Example of the high precision turntable drive

8) Open area designs (- O)

Designed for flush mounted installation in open area test sites (OATS). The carrier plate is made of galvanised or stainless steel.

Drive unit and electronic components are water-resistant and weatherproof.

Temperature working range is from -10°C up to +40°C.

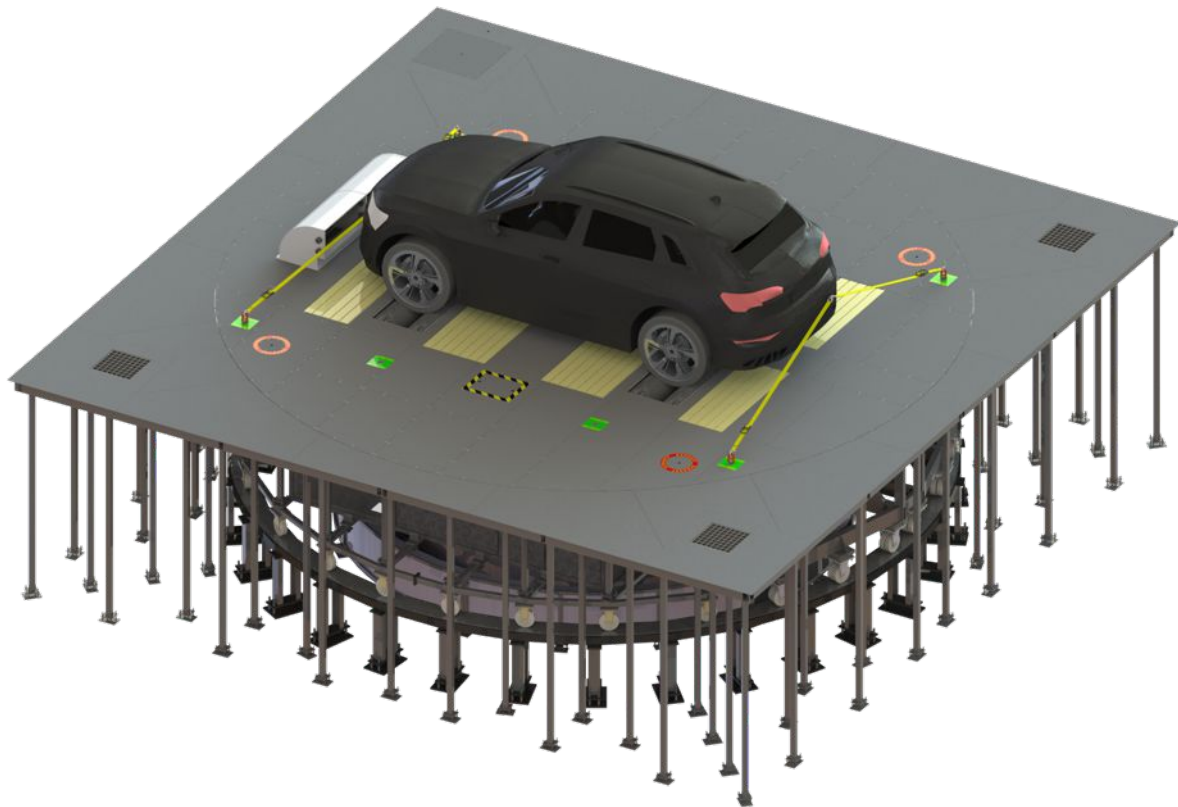


Example of a TT14.0-20t-O

9) Integrated Dynamometer (DYN – I)

The Dynamometer DYN-I is constructed as a chassis dynamometer, which can be integrated into a turntable.

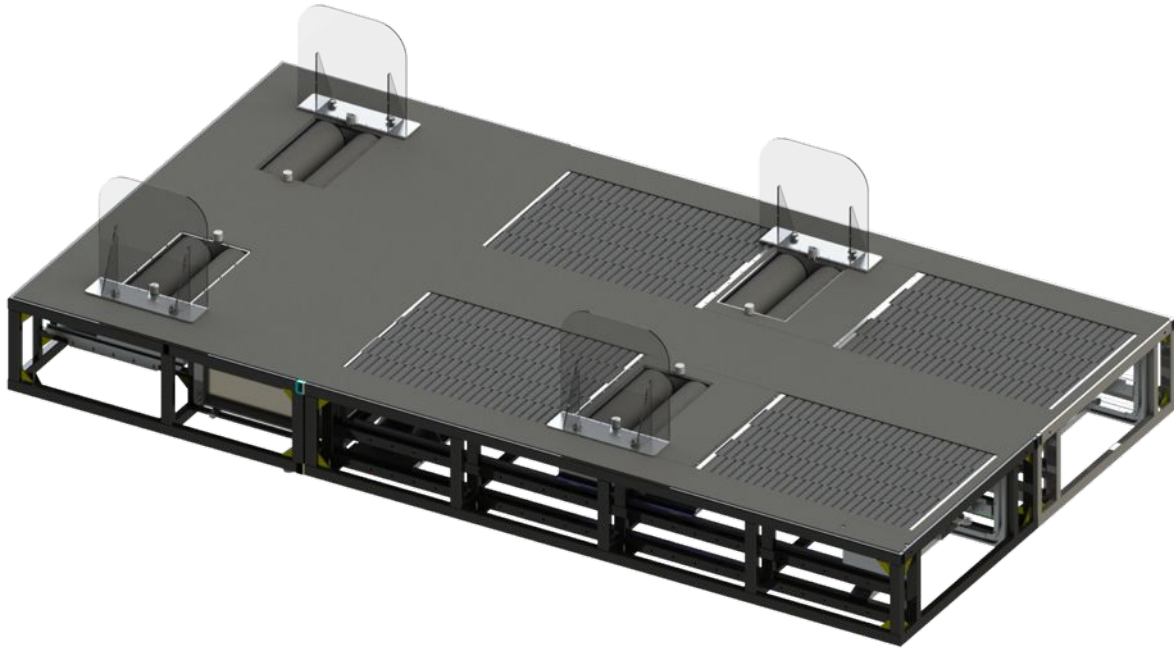
Different versions of either passive or active rollers, from 2WD up to 8WD drive, are available.



Example of a TT7.5-5t-4WD

10) Free-standing dynamometer

Free-standing Dynamometers can be placed either on top of a turntable or the floor. Different versions of passive and active rollers, 2WD or 4WD drive, are available.



Example of a DYN-4WD